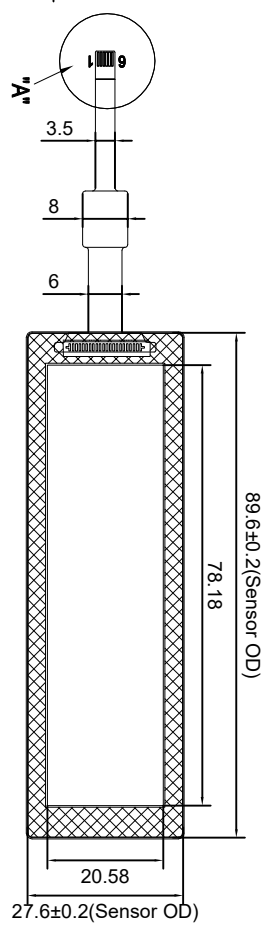
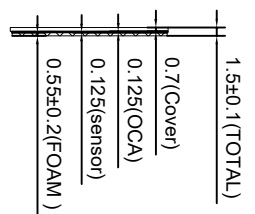
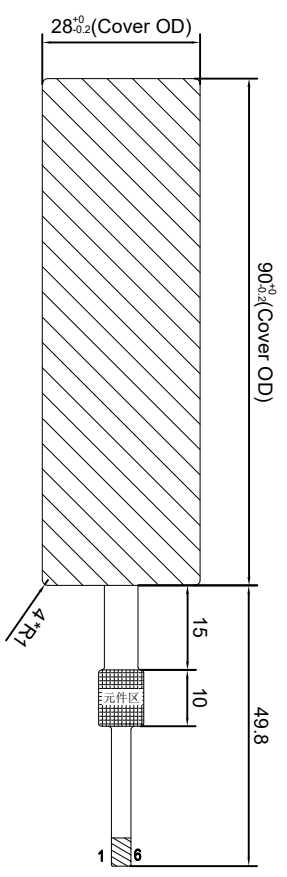

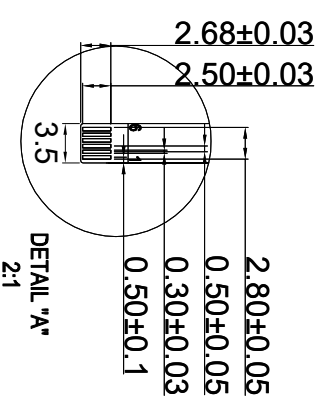
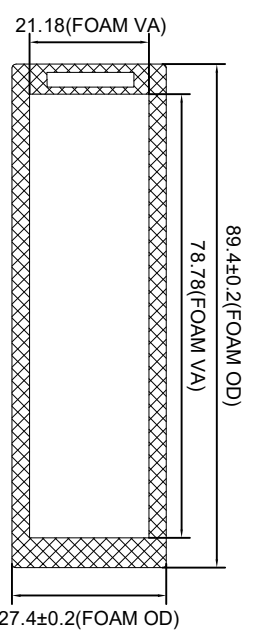


No ROHS hazardous material



 Cover lens printing area :  
Reference color sample

 FOAM area:  
0.125+0.3+0.125=0.55mm



Front view

Side view

Back view

Technical parameters		TP	PIN:
1. Interfaces:	I2C	7. Humidity range:	45~85%RH
2. Structure :	G+F	8. Transmittance:	≥35%
3. IC solutions:	FT6336U	9. Surface hardness:	≥6H
4. Impact resistance:	25 (top/bottom, standard) / 50 (side, standard) / 100 (corner, standard)	10. Operate :	-10°C~+60°C, ≤85%RH
5. Touch points:	3. 3V	11. Storage :	-20°C~+70°C, ≤85%RH
6. Power supply:	3. 3V	12. Unmarked dimension tolerance	as±0.2

		<p>杭州宏梟科技有限公司 GraHowlet Technology CO., Ltd</p>					
		Model 1	HX0321801	view direction	Unit		
Version	V2.0	Designer	LU0	Date	2018-05-17	Edition	A1
Customer		Approved	HBZ	Date	2018-05-18	Proportion	1:1