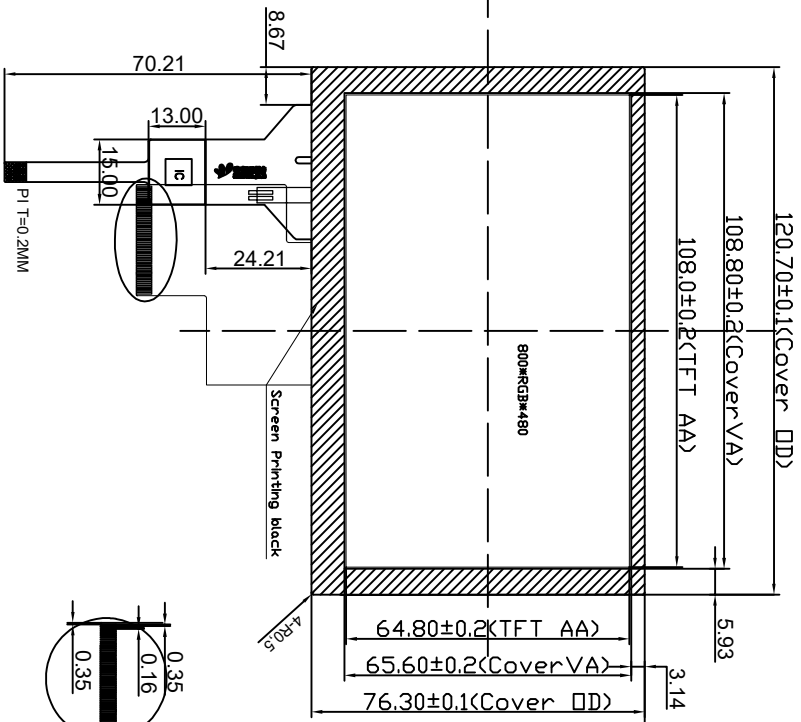
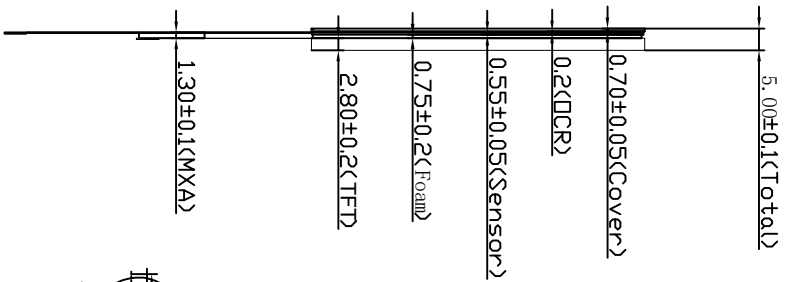


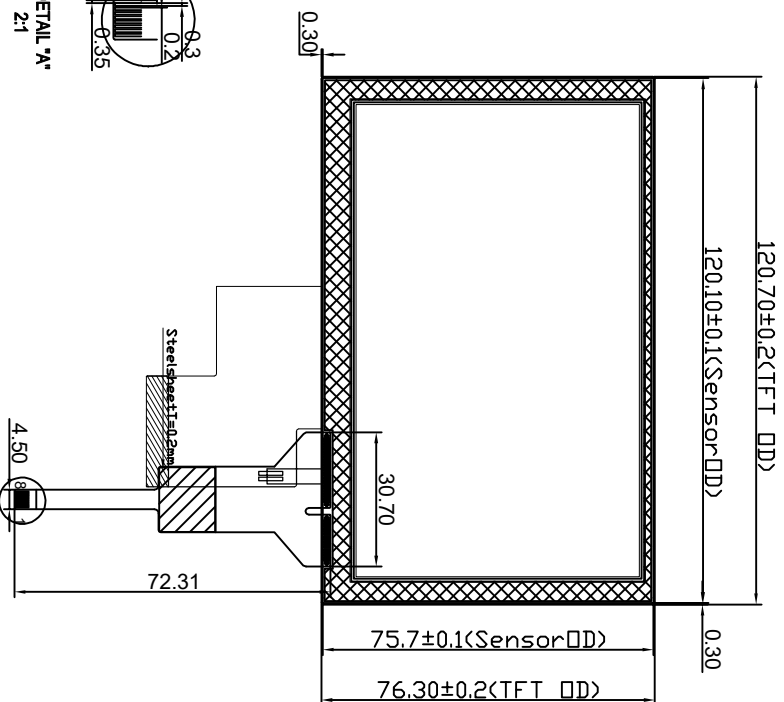
No ROHS hazardous material



Screen printing area: Print Black



Frame adhesive foam area = 0.75mm



Front view

Side view

Back view

TP	PIN:	
1	NC	5 SDA3.3V
2	GND	6 SCL3.3V
3	RST3.3V	7 VDD3.3V
4	INT3.3V	8 VDD3.3V

Technical parameters

1. Interfaces:	12C	7. Humidity range:	45~85%RH
2. Structure :	G+G	8. Transmittance:	≥85%
3. IC solutions:	CYTM6568	9. Surface hardness:	≥6H
4. Impact resistance:	30.000N, Steelball 1326/1000mm-Saw-1time	10. Operate :	-20°C~+70°C, ≤85%RH
5. Touch points:	10 points	11. Storage :	-30°C~+80°C, ≤85%RH
6. Power supply:	3.3V	12. Unmarked dimension tolerance as ±0.2	

TFT PIN: (HX0501801)	1	2	3	4	5	6	7	8	9	10	11	12	13	14	15	16	17
LEP	LEP	LEP	LEP	GND	VCOM	VDD	MODE	DE	VS	HS	B7	B6	B5	B4	B3	B2	
B1	B0	G7	G6	G5	G4	G3	G2	G1	G0	R7	R6	R5	R4	R3	R2	R1	
R0	GND	DCLK	GND	L/R	U/D	VGH	VGL	AVDD	RESET	NC	VCOM	DITHB	GND	NC	NC		



杭州宏晷科技有限公司
Grahwolet Technology CO., Ltd

Model	HX0501801		view direction	Unit	MM
Version	V1.0	Designer	LU0	Date	2018-5-8
Customer		Approved	HBZ	Date	2018-5-9
				Date	2018-5-8
				Proportion	1:1